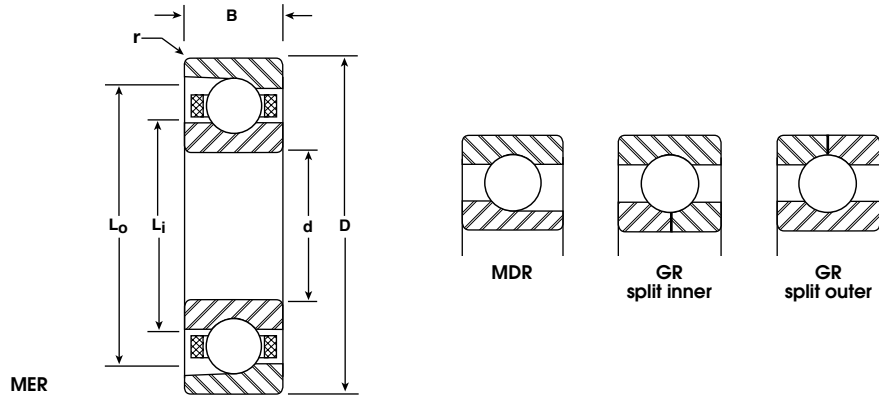


**Metric Series**  
**Angular Contact**

Bore Sizes 10-25 mm



BASIC P/N	BORE d		O.D. D		WIDTH B		LAND DIAMETER (REFERENCE)		FILLET RADIUS r	BALL COMPLEMENT		LOAD RATINGS LBS	
	mm	INCH	mm	INCH	mm	INCH	Li	Lo		NO.	SIZE	DYN. C	STATIC Co
							INCH	INCH	INCH		INCH		
MER-1900	10	.3937	22	.8661	6	.2362	.570	.734	.012	11	1/8	670	340
MER-100	10	.3937	26	1.0236	8	.3150	.583	.837	.012	9	3/16	1200	560
MER-200	10	.3937	30	1.1811	9	.3543	.656	.919	.024	9	7/32	1550	750
MER-300	10	.3937	35	1.3780	11	.4331	.717	1.055	.024	8	9/32	2200	1000
MER-1901	12	.4724	24	.9449	6	.2362	.629	.800	.012	11	9/64	830	430
MER-101	12	.4724	28	1.1024	8	.3150	.670	.924	.012	10	3/16	1300	650
MER-201	12	.4724	32	1.2598	10	.3937	.725	1.007	.024	9	15/64	1800	870
MER-301	12	.4724	37	1.4567	12	.4724	.777	1.153	.039	7	5/16	2400	1100
MER-1902	15	.5906	28	1.1024	7	.2756	.735	.972	.012	12	5/32	1050	590
MER-102	15	.5906	32	1.2598	9	.3543	.816	1.042	.012	11	3/16	1400	760
MER-202	15	.5906	35	1.3780	11	.4331	.815	1.153	.024	10	1/4	2200	1150
MER-302	15	.5906	42	1.6535	13	.5118	.934	1.310	.039	9	5/16	3000	1550
MER-1903	17	.6693	30	1.1811	7	.2756	.832	1.015	.012	13	5/32	1100	660
MER-103	17	.6693	35	1.3780	10	.3937	.895	1.153	.012	13	3/16	1550	930
MER-203	17	.6693	40	1.5748	12	.4724	.952	1.292	.024	10	17/64	2450	1350
MER-303	17	.6693	47	1.8504	14	.5512	1.034	1.485	.039	8	3/8	3750	1900
MER-1804	20	.7874	32	1.2598	7	.2756	.948	1.098	.012	17	1/8	850	580
MER-1904	20	.7874	37	1.4567	9	.3543	1.002	1.267	.012	11	7/32	1850	1050
MER-104	20	.7874	42	1.6535	12	.4724	1.075	1.395	.024	11	1/4	2400	1350
MER-204	20	.7874	47	1.8504	14	.5512	1.131	1.506	.039	10	5/16	3300	1850
MER-304	20	.7874	52	2.0472	15	.5906	1.192	1.643	.039	9	3/8	4200	2250
MER-1805	25	.9843	37	1.4567	7	.2756	1.145	1.295	.012	20	1/8	920	700
MER-1905	25	.9843	42	1.6535	9	.3543	1.195	1.460	.012	14	7/32	2200	1400
MER-105	25	.9843	47	1.8504	12	.4724	1.267	1.567	.024	13	1/4	2650	1700
MER-205	25	.9843	52	2.0472	15	.5906	1.328	1.703	.039	11	5/16	3550	2150
MER-305	25	.9843	62	2.4409	17	.6693	1.450	1.976	.039	9	15/32	5590	3140

**Notes:**

- Metric series angular contact ball bearings are typically manufactured from 52100 chrome steel to ABEC 3, 5 and 7 tolerances per ABMA Standard 20.
- Standard contact angles are 15° and 25°. Other options are available.
- Part numbers listed are with nonseparable, outer ring relieved configuration. Other design options are available.
- Fillet Radius (r) is the maximum shaft or housing fillet radius that bearing corners will clear.

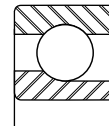
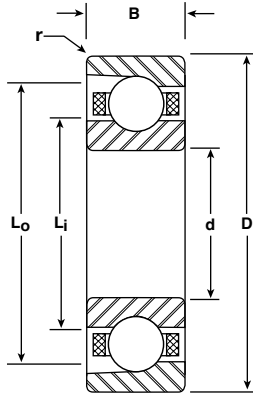


**Metric Series  
Angular Contact**

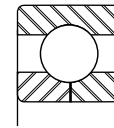
Bore Sizes 30-55 mm



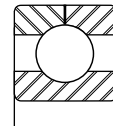
MER



MDR



GR split inner



GR split outer

BASIC P/N	BORE d		O.D. D		WIDTH B		LAND DIAMETER (REFERENCE)		FILLET RADIUS r	BALL COMPLEMENT		LOAD RATINGS LBS	
	mm	INCH	mm	INCH	mm	INCH	Li	Lo		NO.	SIZE	DYN. C	STATIC Co
							INCH	INCH	INCH		INCH		
MER-1806	30	1.1811	42	1.6535	7	.2756	1.342	1.492	.012	23	1/8	970	810
MER-1906	30	1.1811	47	1.8504	9	.3543	1.384	1.649	.012	16	7/32	2350	1650
MER-106	30	1.1811	55	2.1654	13	.5118	1.504	1.842	.039	14	9/32	3450	2350
MER-206	30	1.1811	62	2.4409	16	.6299	1.585	2.045	.039	12	3/8	5250	3350
MER-306	30	1.1811	72	2.8346	19	.7480	1.707	2.308	.039	10	1/2	7700	4650
MER-1807	35	1.3780	47	1.8504	7	.2756	1.539	1.689	.012	26	1/8	1000	900
MER-1907	35	1.3780	55	2.1654	10	.3937	1.644	1.942	.024	18	1/4	3200	2450
MER-107	35	1.3780	62	2.4409	14	.5512	1.721	2.097	.039	15	5/16	4350	3100
MER-207	35	1.3780	72	2.8346	17	.6693	1.825	2.388	.039	10	15/32	6900	4250
MER-307	35	1.3780	80	3.1496	21	.8268	1.926	2.602	.059	10	9/16	9500	5850
MER-1808	40	1.5748	52	2.0472	7	.2756	1.735	1.886	.012	29	1/8	1050	1000
MER-1908	40	1.5748	62	2.4409	12	.4724	1.878	2.141	.024	19	1/4	3250	2700
MER-108	40	1.5748	68	2.6772	15	.5906	1.900	2.351	.039	14	3/8	5800	4100
MER-208	40	1.5748	80	3.1496	18	.7087	2.062	2.663	.039	11	1/2	8300	5450
MER-308	40	1.5748	90	3.5433	23	.9055	2.184	2.935	.059	10	5/8	11500	7300
MER-1809	45	1.7717	58	2.2835	7	.2756	1.952	2.102	.012	31	1/8	1100	1050
MER-1909	45	1.7717	68	2.6772	12	.4724	2.055	2.394	.024	19	9/32	4050	3350
MER-109	45	1.7717	75	2.9528	16	.6299	2.137	2.588	.039	15	3/8	6050	4500
MER-209	45	1.7717	85	3.3465	19	.7480	2.258	2.859	.039	13	15/32	9295	6540
MER-309	45	1.7717	100	3.9370	25	.9843	2.441	3.267	.059	11	11/16	14600	9800
MER-1810	50	1.9685	65	2.5591	7	.2756	2.169	2.357	.012	30	5/32	1585	1560
MER-1910	50	1.9685	72	2.8346	12	.4724	2.232	2.571	.024	21	9/32	4300	3750
MER-110	50	1.9685	80	3.1496	16	.6299	2.334	2.785	.039	18	3/8	6675	5450
MER-210	50	1.9685	90	3.5433	20	.7874	2.455	3.056	.039	14	1/2	9800	7250
MER-310	50	1.9685	110	4.3307	27	1.0630	2.699	3.600	.079	11	3/4	17100	11700
MER-1811	55	2.1654	72	2.8346	9	.3543	2.387	2.612	.012	29	3/16	2300	2300
MER-1911	55	2.1654	80	3.1496	13	.5118	2.469	2.845	.039	20	5/16	5050	4450
MER-111	55	2.1654	90	3.5433	18	.7087	2.592	3.116	.039	17	7/16	8700	7050
MER-211	55	2.1654	100	3.9370	21	.8268	2.713	3.389	.059	14	9/16	12100	9150
MER-311	55	2.1654	120	4.7244	29	1.1417	2.956	3.933	.079	11	13/16	19800	13800

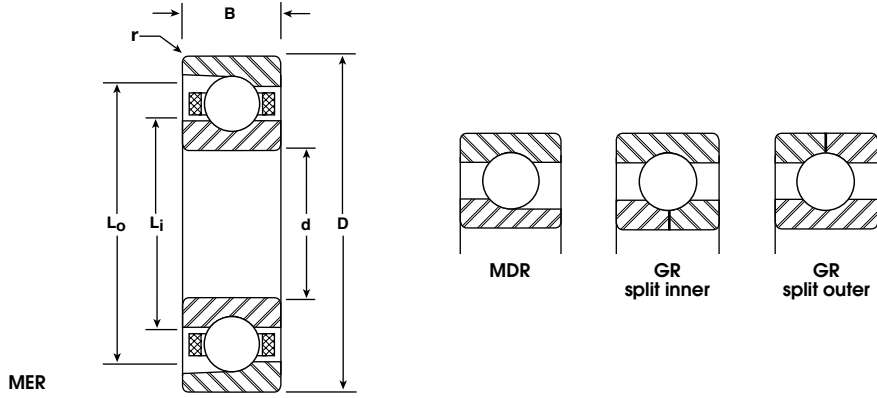
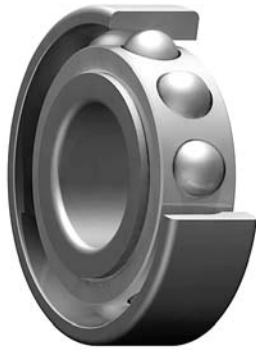
**Notes:**

- Metric series angular contact ball bearings are typically manufactured from 52100 chrome steel to ABEC 3, 5 and 7 tolerances per ABMA Standard 20.
- Standard contact angles are 15° and 25°. Other options are available.
- Part numbers listed are with nonseparable, outer ring relieved configuration. Other design options are available.
- Fillet Radius (r) is the maximum shaft or housing fillet radius that bearing corners will clear.

Metric Series

Angular Contact

Bore Sizes 60-85 mm



BASIC P/N	BORE d		O.D. D		WIDTH B		LAND DIAMETER (REFERENCE)		FILLET RADIUS r	BALL COMPLEMENT		LOAD RATINGS LBS	
	mm	INCH	mm	INCH	mm	INCH	Li	Lo		NO.	SIZE	DYN. C	STATIC Co
							INCH	INCH	INCH		INCH		
MER-1812	60	2.3622	78	3.0709	10	.3937	2.584	2.848	.012	28	7/32	3050	3050
MER-1912	60	2.3622	85	3.3465	13	.5118	2.666	3.042	.039	21	5/16	5150	4700
MER-112	60	2.3622	95	3.7402	18	.7087	2.788	3.314	.039	18	7/16	8950	7600
MER-212	60	2.3622	110	4.3307	22	.8661	2.971	3.722	.059	14	5/8	14700	11300
MER-312	60	2.3622	130	5.1181	31	1.2205	3.213	4.266	.079	11	7/8	22600	16100
MER-1813	65	2.5591	85	3.3465	10	.3937	2.821	3.084	.024	29	7/32	3050	3150
MER-1913	65	2.5591	90	3.5433	13	.5118	2.863	3.239	.039	23	5/16	5450	5200
MER-113	65	2.5591	100	3.9370	18	.7087	2.985	3.511	.039	19	7/16	9150	8100
MER-213	65	2.5591	120	4.7244	23	.9055	3.228	4.055	.059	14	11/16	17400	13600
MER-313	65	2.5591	140	5.5118	33	1.2992	3.471	4.599	.079	12	15/16	27200	20200
MER-1814	70	2.7559	90	3.5433	10	.3937	3.018	3.281	.024	31	7/32	3150	3350
MER-1914	70	2.7559	100	3.9370	16	.6299	3.139	3.553	.039	21	11/32	6100	5750
MER-114	70	2.7559	110	4.3307	20	.7874	3.243	3.844	.039	18	1/2	11300	9950
MER-214	70	2.7559	125	4.9213	24	.9449	3.424	4.252	.059	15	11/16	18200	14800
MER-314	70	2.7559	150	5.9055	35	1.3780	3.729	4.932	.079	12	1	30500	23000
MER-1815	75	2.9528	95	3.7402	10	.3937	3.214	3.478	.024	33	7/32	3200	3550
MER-1915	75	2.9528	105	4.1339	16	.6299	3.318	3.769	.039	26	3/8	8250	8500
MER-115	75	2.9528	115	4.5276	20	.7874	3.440	4.041	.039	20	1/2	12100	11200
MER-215	75	2.9528	130	5.1181	25	.9843	3.621	4.449	.059	16	11/16	19000	16000
MER-315	75	2.9528	160	6.2992	37	1.4567	3.986	5.265	.079	12	1-1/16	34100	26100
MER-1816	80	3.1496	100	3.9370	10	.3937	3.411	3.675	.024	35	7/32	3300	3750
MER-1916	80	3.1496	110	4.3307	16	.6299	3.515	3.966	.039	27	3/8	8350	8850
MER-116	80	3.1496	125	4.9213	22	.8661	3.809	4.261	.039	19	9/16	14500	13300
MER-216	80	3.1496	140	5.5118	26	1.0236	3.992	4.669	.079	16	3/4	22200	19000
MER-316	80	3.1496	170	6.6929	39	1.5354	4.470	5.372	.079	12	1-1/8	37800	29300
MER-1817	85	3.3465	110	4.3307	13	.5118	3.669	4.007	.039	30	9/32	4900	5450
MER-1917	85	3.3465	120	4.7244	18	.7087	3.772	4.298	.039	25	7/16	10700	11100
MER-117	85	3.3465	130	5.1181	22	.8661	3.893	4.570	.039	20	9/16	14900	14200
MER-217	85	3.3465	150	5.9055	28	1.1024	4.137	5.114	.079	15	13/16	24600	20800
MER-317	85	3.3465	180	7.0866	41	1.6142	4.539	5.893	.098	13	1-1/8	40100	32400

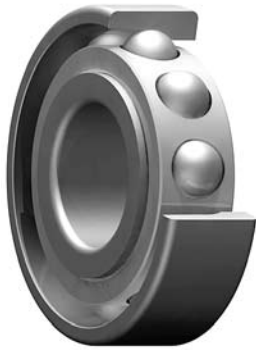
Notes:

1. Metric series angular contact ball bearings are typically manufactured from 52100 chrome steel to ABEC 3, 5 and 7 tolerances per ABMA Standard 20.
2. Standard contact angles are 15° and 25°. Other options are available.
3. Part numbers listed are with nonseparable, outer ring relieved configuration. Other design options are available.
4. Fillet Radius (r) is the maximum shaft or housing fillet radius that bearing corners will clear.

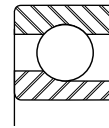
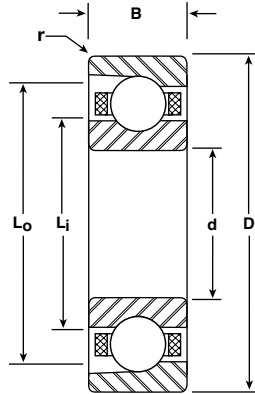


## Metric Series Angular Contact

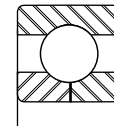
Bore Sizes 90-130 mm



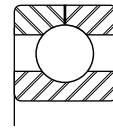
MER



MDR



GR  
split inner



GR  
split outer

BASIC P/N	BORE d		O.D. D		WIDTH B		LAND DIAMETER (REFERENCE)		FILLET RADIUS r	BALL COMPLEMENT		LOAD RATINGS LBS	
	mm	INCH	mm	INCH	mm	INCH	Li INCH	Lo INCH		NO.	SIZE INCH	DYN. C	STATIC Co
									INCH				
MER-1818	90	3.5433	115	4.5276	13	.5118	3.904	4.166	.039	31	9/32	4950	5600
MER-1918	90	3.5433	125	4.9213	18	.7087	3.969	4.495	.039	26	7/16	10900	11600
MER-118	90	3.5433	140	5.5118	24	.9449	4.151	4.903	.059	20	5/8	18200	17400
MER-218	90	3.5433	160	6.2992	30	1.1811	4.394	5.447	.079	15	7/8	28100	24100
MER-318	90	3.5433	190	7.4803	43	1.6929	4.797	6.226	.098	13	1-3/16	44200	36200
MER-1819	95	3.7402	120	4.7244	13	.5118	4.101	4.363	.039	32	9/32	5000	5750
MER-1919	95	3.7402	130	5.1181	18	.7087	4.169	4.692	.039	28	7/16	11300	12600
MER-119	95	3.7402	145	5.7087	24	.9449	4.348	5.100	.059	21	5/8	18600	18400
MER-219	95	3.7402	170	6.6929	32	1.2598	4.652	5.780	.079	15	15/16	31900	27600
MER-319	95	3.7402	200	7.8740	45	1.7717	5.055	6.559	.098	13	1-1/4	48500	40100
MER-1820	100	3.9370	125	4.9213	13	.5118	4.259	4.598	.039	34	9/32	5150	6100
MER-1920	100	3.9370	140	5.5118	20	.7874	4.423	5.025	.039	26	1/2	13900	15100
MER-120	100	3.9370	150	5.9055	24	.9449	4.545	5.297	.059	21	5/8	18500	18600
MER-220	100	3.9370	180	7.0866	34	1.3386	4.910	6.113	.079	15	1	35800	31300
MER-1821	105	4.1339	130	5.1181	13	.5118	4.456	4.795	.039	36	9/32	5300	6400
MER-1921	105	4.1339	145	5.7087	20	.7874	4.620	5.222	.039	27	1/2	14200	15800
MER-121	105	4.1339	160	6.2992	26	1.0236	4.802	5.630	.079	21	11/16	22100	22300
MER-221	105	4.1339	190	7.4803	36	1.4173	5.167	6.446	.079	15	1-1/16	40000	35300
MER-1822	110	4.3307	140	5.5118	16	.6299	4.714	5.128	.039	32	11/32	7300	8650
MER-1922	110	4.3307	150	5.9055	20	.7874	4.817	5.418	.039	28	1/2	14300	16500
MER-122	110	4.3307	170	6.6929	28	1.1024	5.060	5.963	.079	20	3/4	25200	25100
MER-222	110	4.3307	200	7.8740	38	1.4961	5.425	6.779	.079	15	1-1/8	44300	39400
MER-1824	120	4.7244	150	5.9055	16	.6299	5.108	5.521	.039	35	11/32	7600	9400
MER-1924	120	4.7244	165	6.4961	22	.8661	5.271	5.948	.039	27	9/16	17400	20100
MER-124	120	4.7244	180	7.0866	28	1.1024	5.454	6.356	.079	22	3/4	26600	28000
MER-224	120	4.7244	215	8.4646	40	1.5748	5.917	7.271	.079	16	1-1/8	46200	43000
MER-1826	130	5.1181	165	6.4961	18	.7087	5.562	6.051	.039	32	13/32	9900	12100
MER-1926	130	5.1181	180	7.0866	24	.9449	5.726	6.478	.059	27	5/8	21200	24700
MER-126	130	5.1181	200	7.8740	33	1.2992	5.969	7.022	.079	20	7/8	33200	34300
MER-226	130	5.1181	230	9.0551	40	1.5748	6.372	7.801	.098	17	1-3/16	52900	51200

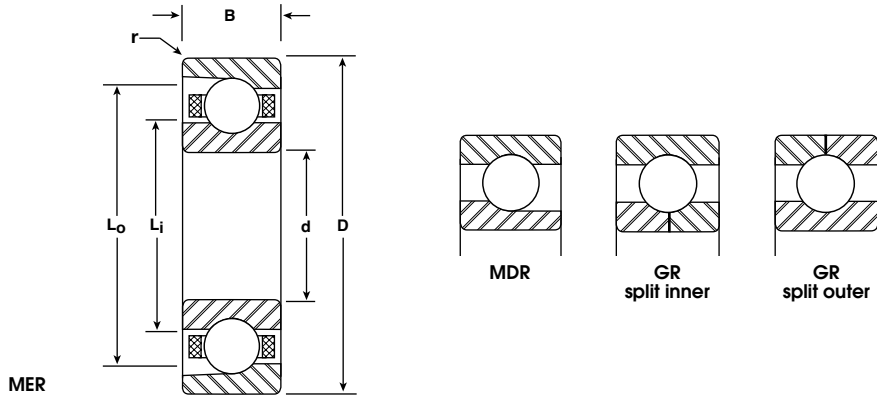
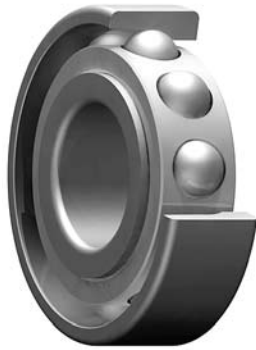
### Notes:

- Metric series angular contact ball bearings are typically manufactured from 52100 chrome steel to ABEC 3, 5 and 7 tolerances per ABMA Standard 20.
- Standard contact angles are 15° and 25°. Other options are available.
- Part numbers listed are with nonseparable, outer ring relieved configuration. Other design options are available.
- Fillet Radius (r) is the maximum shaft or housing fillet radius that bearing corners will clear.

Metric Series

Angular Contact

Bore Sizes 140-200 mm



BASIC P/N	BORE d		O.D. D		WIDTH B		LAND DIAMETER (REFERENCE)		FILLET RADIUS r	BALL COMPLEMENT		LOAD RATINGS LBS	
	mm	INCH	mm	INCH	mm	INCH	Li	Lo		NO.	SIZE	DYN. C	STATIC Co
							INCH	INCH	INCH		INCH		
MER-1828	140	5.5118	175	6.8898	18	.7087	5.956	6.445	.039	35	13/32	10300	13200
MER-1928	140	5.5118	190	7.4803	24	.9449	5.923	6.675	.059	29	5/8	22000	26700
MER-128	140	5.5118	210	8.2677	33	1.2992	6.363	7.416	.079	22	7/8	35100	38100
MER-228	140	5.5118	250	9.8425	42	1.6535	6.887	8.466	.098	16	1-5/16	61000	58500
MER-1830	150	5.9055	190	7.4803	20	.7874	6.429	6.956	.039	35	7/16	11800	15300
MER-1930	150	5.9055	210	8.2677	28	1.1024	6.635	7.537	.079	26	3/4	28900	34200
MER-130	150	5.9055	225	8.8583	35	1.3780	6.855	7.908	.079	23	7/8	35800	40400
MER-1832	160	6.2992	200	7.8740	20	.7874	6.823	7.349	.039	37	7/16	12100	16100
MER-1932	160	6.2992	220	8.6614	28	1.1024	7.029	7.931	.079	27	3/4	29300	35800
MER-132	160	6.2992	240	9.4488	38	1.4961	7.272	8.475	.079	22	1	44700	49900
MER-1834	170	6.6929	215	8.4646	22	.8661	7.277	7.879	.039	35	1/2	15100	20000
MER-1934	170	6.6929	230	9.0551	28	1.1024	7.422	8.325	.079	29	3/4	30300	38700
MER-134	170	6.6929	260	10.2360	42	1.6535	7.787	9.141	.079	21	1-1/8	54000	59800
MER-1836	180	7.0866	225	8.8583	22	.8661	7.671	8.273	.039	37	1/2	15500	21100
MER-1936	180	7.0866	250	9.8425	33	1.2992	7.938	8.991	.079	27	7/8	39000	48500
MER-136	180	7.0866	280	11.0240	46	1.8110	8.378	9.732	.079	22	1-1/8	55100	63500
MER-1838	190	7.4803	240	9.4488	24	.9449	8.126	8.803	.059	36	9/16	19100	26200
MER-1938	190	7.4803	260	10.2360	33	1.2992	8.331	9.384	.079	28	7/8	39500	50600
MER-138	190	7.4803	290	11.4173	46	1.8110	8.734	10.163	.079	22	1-3/16	60800	70600
MER-1840	200	7.8740	250	9.8425	24	.9449	8.519	9.196	.059	37	9/16	19200	26800
MER-1940	200	7.8740	280	11.0240	38	1.4961	8.847	10.050	.079	26	1	48600	60800

Notes:

1. Metric series angular contact ball bearings are typically manufactured from 52100 chrome steel to ABEC 3, 5 and 7 tolerances per ABMA Standard 20.
2. Standard contact angles are 15° and 25°. Other options are available.
3. Part numbers listed are with nonseparable, outer ring relieved configuration. Other design options are available.
4. Fillet Radius (r) is the maximum shaft or housing fillet radius that bearing corners will clear.