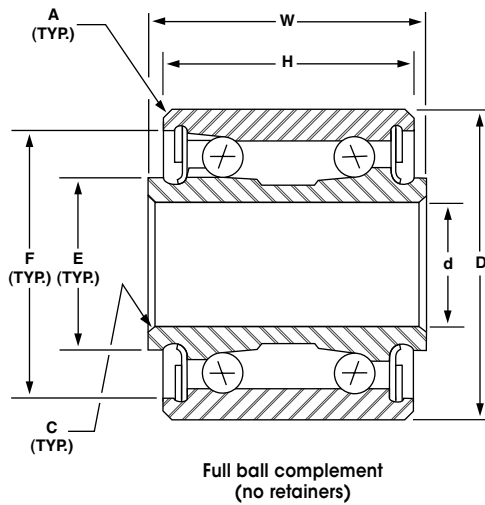
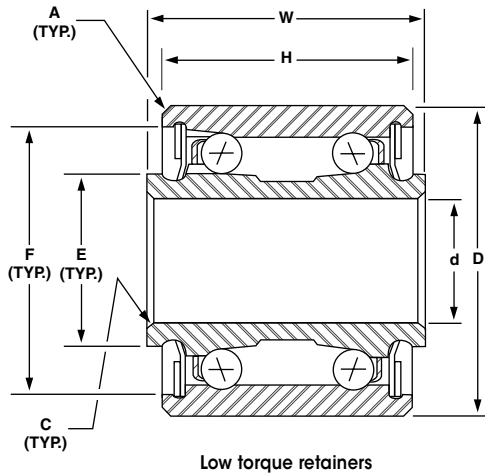




MDW-K, MDW- Series



Notes:

1. Rings and balls are manufactured from premium quality AISI 52100 chrome steel.
2. Operating temperature range: -65 to +250 °F.
3. All bearings include removable PTFE seals.
4. Bearings are lubricated with MIL-PRF-81322 grease, 80% minimum fill, unless otherwise specified.
5. Contact angles are convergent (/ \).
6. External surfaces (except bore) are cadmium plated per AMS-QQ-P-416. All dimensions apply after plating.
7. Custom sizes, materials, tolerances, radial internal clearances, lubrication, plating, etc., are available upon request.
8. See "Airframe Part Numbering System" on page 5 for correct NHBB nomenclature.
9. All dimensions are in inches, unless otherwise specified.

Refer to the *Qualifications and Manufacturing Schedule* for a current list of the Precision Division's AS7949 qualifications and manufacturing capabilities.

MDW-K, MDW-

NHBB BASIC P/N	BORE d	O.D. D	RING WIDTH		BALL COMPLEMENT		RING SHOULDER DIAMETER		RING CHAMFER X 45°		LOAD RATINGS (LBS.)				APPROX. WEIGHT	MAX. STARTING TORQUE [^]
			OUTER H	INNER W	NO.	DIA.	OUTER F	INNER E	STATIC		DYNAMIC RADIAL* RING ROTATION					
									RADIAL	THRUST	INNER	OUTER				
	+0.000 -0.003	+0.000 -0.004	+0.00 -0.05	+0.000 -0.025			REF.	REF.	+0.015 -0.00	+0.015 -0.00	RADIAL LIMIT	AXIAL LIMIT			LBS.	OZ.-IN.
MDW4K2 ⁽¹⁾	.2500	.6250	.500	.5620	16	3/32	.523	.344	.016	.005	1400	500	1050	960	.025	1.0
MDW4K ⁽¹⁾	.2500	.7500	.750	.8750	14	9/64	.648	.380	.016	.005	2770	900	2070	1850	.040	1.0
MDW4 ⁽²⁾	.2500	.7500	.750	.8750	24	1/8	.648	.378	.016	.005	3750	1240	2650	2300	.060	⁽³⁾
MDW5 ⁽²⁾	.3125	.8750	.813	.9380	26	9/64	.739	.468	.016	.005	5140	1600	2600	2320	.070	1.5
MDW6 ⁽²⁾	.3750	1.0625	1.063	1.1880	24	3/16	.916	.572	.016	.005	8440	2600	4220	3740	.120	2.5
MDW8 ⁽²⁾	.5000	1.4375	1.375	1.5000	22	17/64	1.223	.708	.032	.005	15520	4700	7610	6520	.290	2.5

Radial internal clearance: .0002 to .0005

⁽¹⁾ Double row construction—low torque retainers

⁽²⁾ Double row construction—full ball complement (no retainers)

⁽³⁾ Torque limit not defined.

* Dynamic radial load ratings are for operation up to 250 °F. Reduce load ratings by 20% for 250 to 350 °F operation. Dynamic radial load ratings are based on an average life of 10,000 complete 90° cycles.

[^] Torque limits are for bearings lubricated with MIL-PRF-81322 grease. For bearings lubricated with MIL-PRF-23827, multiply torque limits by a factor of 1.2.